



**ORION**  
**7kW, 11kW & 22kW**



**MC CHARGERS**

"Your Journey, Our Commitment."

# ORION 7kW, 11kW & 22kW



Single-phase and three-phase Public & Commercial charger with AC output voltage.

- MID Meter
- SPD Type 2
- RCD Type B
- 4.3" LCD
- WiFi, Ethernet, GSM
- S2W OCPP 1.6 Json
- RFID
- IP55, IK10
- 2 years warranty
- Dynamic Load Management
- Remote Firmware Updates
- MCCB + Industrial Relay 4P

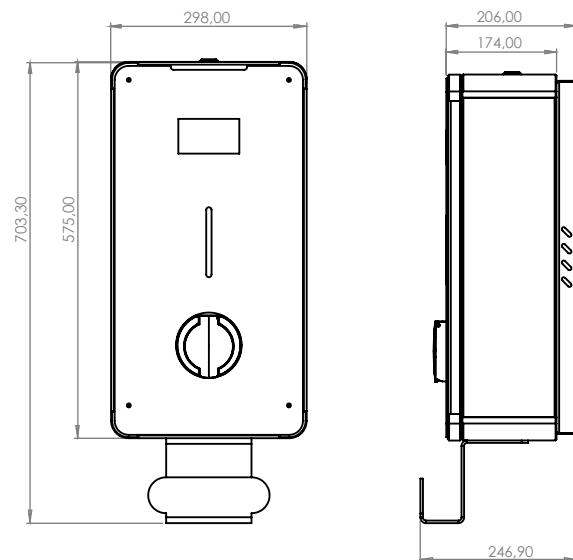
<b>Charging Output:</b>	1 AC
<b>Max. Output Power:</b>	7 or 11 or 22kW
<b>Installation:</b>	Ground or Wall mounted
<b>Network Connection:</b>	WiFi, Ethernet or GSM
<b>Communication Protocol:</b>	S2W and OCPP 1.6Json

- Easy use, install, upgrade and remote firmware update.
- Compatible with all electric cars on the market.
- Quality & high design aesthetics.
- Ideal for private installations such as stores, parking, gas station, shopping malls, hotel, points on the national and international roads.
- Electrostatically painted Steel & polycarbonate.
- RFID or phone app user identification.
- All protective devices are integrated in the charging station providing an easy, quick, safe and low cost installation.

## ORION 7, 11 & 22kW CG



With 5m Mode 3 tethered cable Type 2  
Built in 5m (or 7m available) length, Mode 3, tethered cable with Type 2 outlet for easy and fast connection with the electric vehicle.



## ORION 7, 11 & 22kW CS



With Type 2 Socket Outlet  
Type 2 socket outlet with protective cap and locking mechanism.



**BASE 22**  
Mounting on the ground with the metal floor  
BASE 22.



**BASE 22D**  
Ground Mounting base with space for the integration of Grid's operator energy meter.

Technical Specifications		ORION 07CS   07CG		ORION 11CS   11CG		ORION 22CS   22CG		
AC Input Characteristics	AC Input Voltage	230VAC ± 10%		400VAC ± 10%				
	Input Type	1P + N + PE		3P + N + PE				
	Input Type	32A		16A / phase		32A / phase		
	Frequency	50 Hz						
AC Output Characteristics	AC Voltage Output	230VAC		400VAC				
	Power	7kW max		11kW max (expandable to 22kW)		22kW max		
	AC Output Current	32A		16A / phase		32A / phase		
Operating Conditions	Operating Temperature	-25°C - +65°C (derating of power above +50°C)						
	Storage Temperature	-30°C - 70°C						
	Humidity	5% - 95% RH (no condensation)						
	Installation Altitude	Up to 2000m						
Construction	Enclosure	Electrostatically painted Steel, Polycarbonate *						
	IP Protection	IP55						
	Mechanical Impact IK	IK10						
	Display	LCD 4,3"						
	Outputs	Socket outlet Type 2 with protective cap and locker or built in 5m (or 7m) length tethered cable with Type 2 output **						
	Charger Dimensions	300x575 x168mm (width x height x depth)						
	Charger Dimensions with Base	Ground mounted: 440x200x1534 mm			Wall mounted: 300x575x210 mm			
	Weight	Wall mounted with socket	Ground mounted with socket		Wall mounted with cable		Ground mounted with cable	
		17.2kg	58.9kg		18.9kg		60.6kg	
	Electronic Parts	Energy Meter	MID certified 3-phase energy meter					
Protective Devices		Built in Residual Current Detection RCD Type B that detects both AC 30mA and DC 6mA residual currents						
		Overcurrent and Short Circuit Detection – Built in Microcircuit Breaker MCB Type C 4P 40A						
		Surge Protection SPD Type 2						
		Over Voltage Protection (OVP) & Under Voltage (UVP)						
		Over Temperature Protection (OTP)						
Ground Loss Detection								
Communication Protocol		S2W & OCPP 1.6 JSON						
Language Menu		Greek, English						
User Identification		RFID & phone app						
Connectivity	WIFI & Ethernet or GSM							
Installation	Grid Substation	Installation outside ATEX zones						
	Grid Substation	Not applicable						
	Cable Cross Section	3x10mm <sup>2</sup> (cable length up to 50m), 3x16mm <sup>2</sup> (cable length up to >50m)		5x6mm <sup>2</sup> (cable length up to 100m), 5x10mm <sup>2</sup> (cable length up to 80m)		5x10mm <sup>2</sup> (cable length up to 100m), 5x16mm <sup>2</sup> (cable length up to 150m)		
	Regulations	LVD 2014/35/EU, IEC EN 61851-1:2017, IEC EN 61851-1:2019 IEC 61851-21-2:2018, EN 62196-1:2014, EN 62196-2:2016, 2014/30/EU, EMC EN 61000, CE						
Certification	Sector	DEKRA						
	Time of Warranty	2 years						

\* Capability to have anti-corrosion primer, anti-graffiti paint, different metal enclosure (ex, AISI 316L) or branding at the whole surface of the charging station with ground mounted base,

\*\* All models (**ORION 07CG-7M**, **ORION 11CG-7M**, **ORION 22CG-7M**) are available with 7m length tethered cable.



Thessaloniki-Gorgopotamou  
P.C. 570 22, Thessaloniki Industrial Area Sindos, Greece

t: (+30) 231 60 200 47  
e: [info@mc-chargers.com](mailto:info@mc-chargers.com)  
[www.mc-chargers.com](http://www.mc-chargers.com)



---

Official Distributor: